

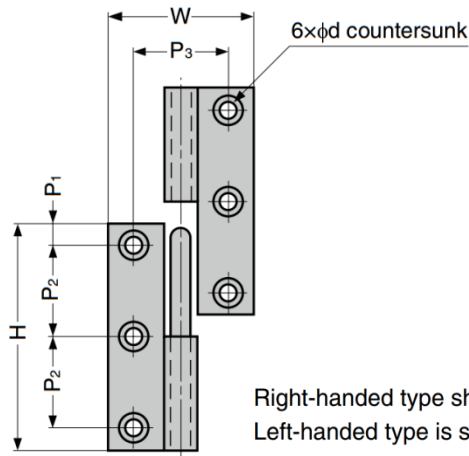
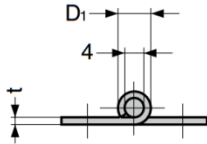
## GKN Stainless Steel Lift-Off Hinge

### Features

- Handed: specific left and right hand mounting

### Material

- Stainless steel 304, polished



Right-handed

Right-handed type shown.  
Left-handed type is symmetrical.

| Part No. | Type         | H  | W  | P <sub>1</sub> | P <sub>2</sub> | P <sub>3</sub> | D <sub>1</sub> | t   | d   | Load Capacity (per pair) |       |
|----------|--------------|----|----|----------------|----------------|----------------|----------------|-----|-----|--------------------------|-------|
| GKN-50CL | Left-handed  | 50 | 32 | 5              | 20             | 21             | 7.5            | 1.5 | 3.2 | 78 N                     | 8 kg  |
| GKN-50CR | Right-handed |    |    |                |                |                |                |     |     | 108 N                    | 11 kg |
| GKN-64CL | Left-handed  | 64 | 36 | 6              | 24             | 24             | 8.5            | 2   | 3.2 | 108 N                    | 11 kg |
| GKN-64CR | Right-handed |    |    |                |                |                |                |     |     | 167 N                    | 17 kg |
| GKN-75CL | Left-handed  | 75 | 38 | 7.5            | 30             | 24             | 8.5            | 2   | 3.2 | 167 N                    | 17 kg |
| GKN-75CR | Right-handed |    |    |                |                |                |                |     |     | 167 N                    | 17 kg |

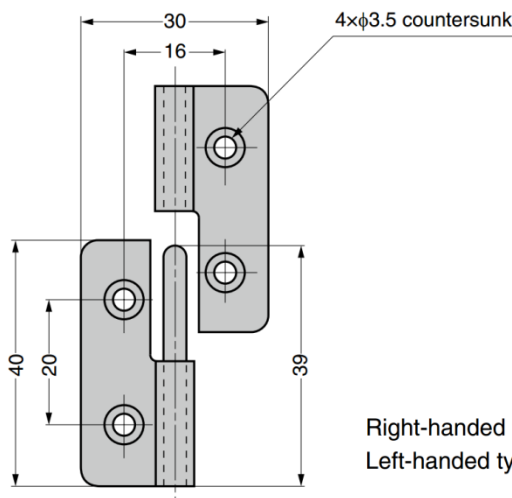
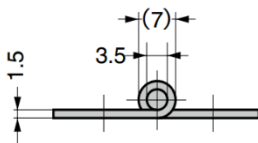
## GNH-40 Stainless Steel Lift-Off Hinge

### Features

- Handed: specific left and right hand mounting

### Material

- Stainless steel 304, polished



GNH-40CL

Right-handed type shown.  
Left-handed type is symmetrical.

| Part No. | Type         | Load Capacity (per pair) |      |
|----------|--------------|--------------------------|------|
| GNH-40CL | Left-handed  | 69 N                     | 7 kg |
| GNH-40CR | Right-handed |                          |      |